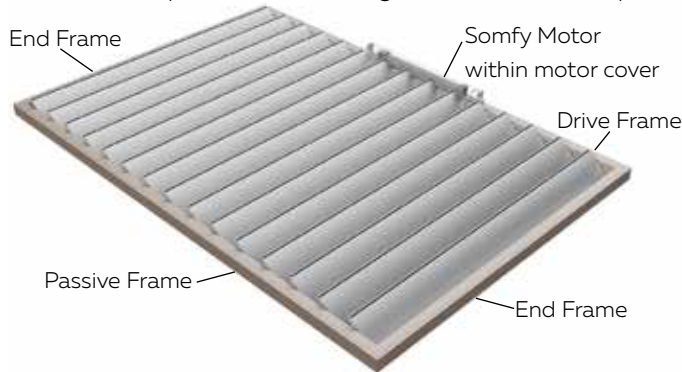


APPLICATION OVERVIEW OVERHEAD SUN LOUVRE PANELS FITTING INTO AN EXISTING OPENING

OVERHEAD SUN LOUVRES FITTING IN TO AN EXISTING OPENING

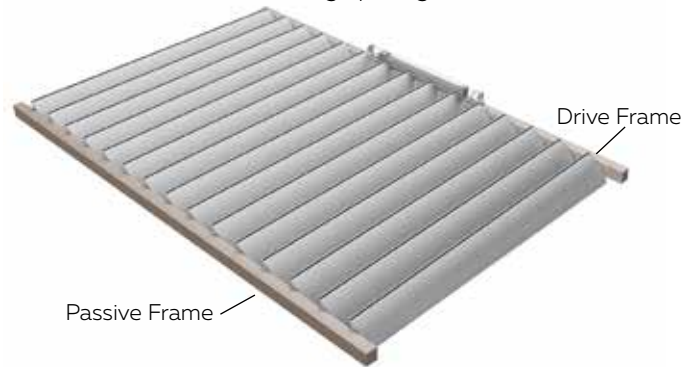
Two Frame Options

There are two options when installing Motorised or Hand Operable Sun Louvre Panels into an existing opening.



1. FRAME TO FOUR SIDES - WRAP AROUND

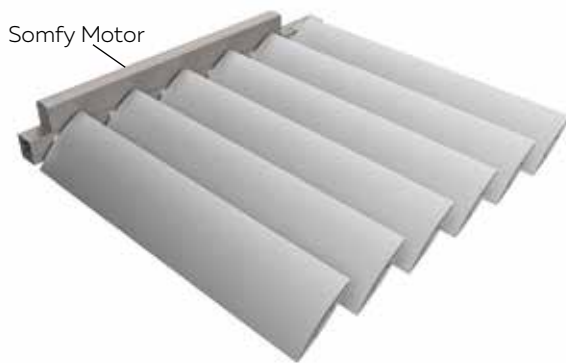
Drive and Pivot sides are connected with Passive End Frames.



2. TWO SIDED DRIVE & PASSIVE FRAME

Frame is Two Sided only with Drive and Passive sides.

Motorised: Two Options for Motor Location



1. MOTOR ON TOP - LOCATED WITHIN A MOTOR COVER



2. MOTOR DOWN-UNDER - LOCATED WITHIN A DOWN-UNDER FRAME

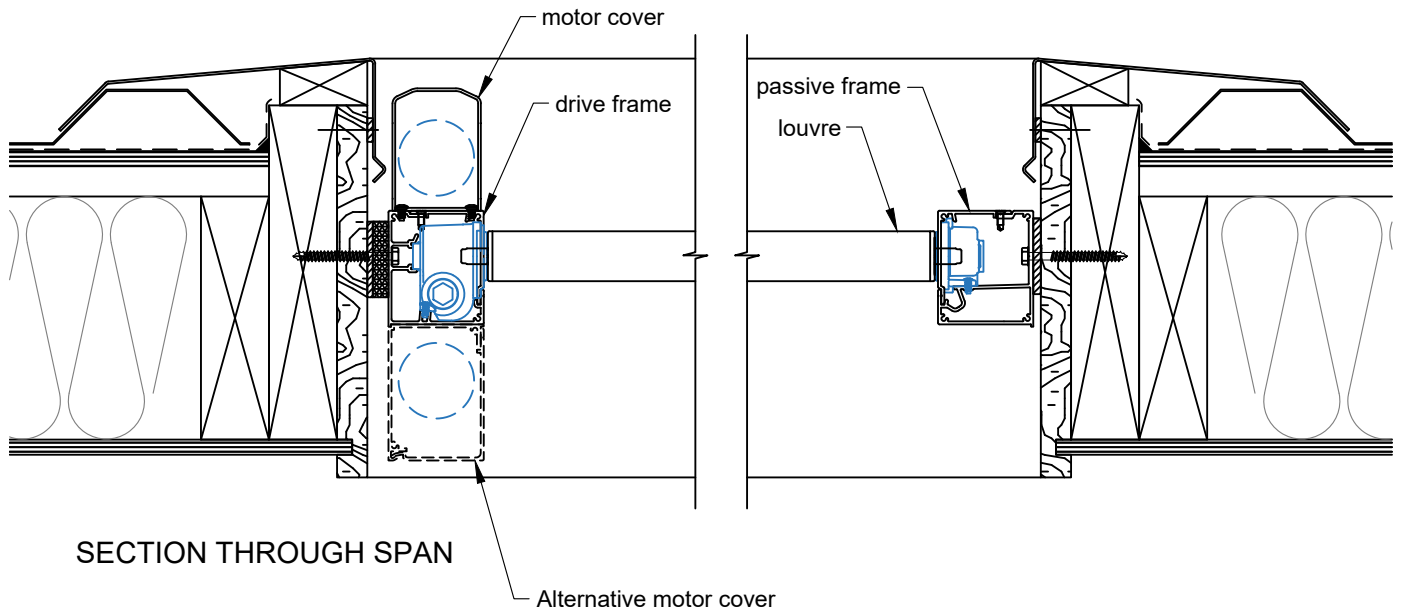
Hand Operable Option



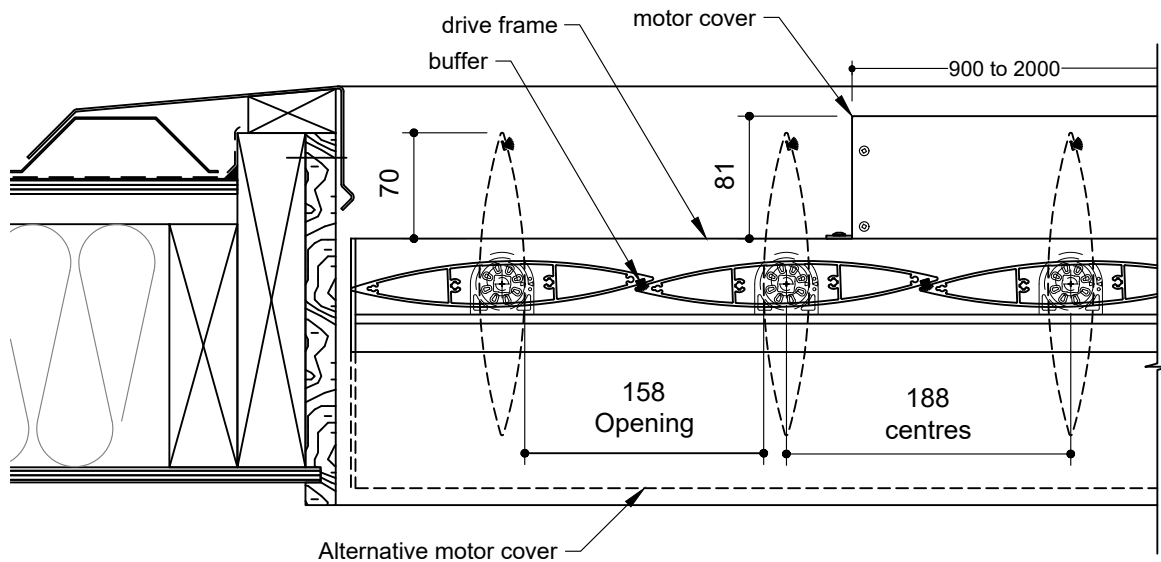
HAND OPERATED OPTION WITH GEARBOX & CRANK HANDLE

TYPICAL DETAIL: MOTORISED OVERHEAD SPIRAL PIVOT SUN LOUVRES FITTING INTO EXISTING OPENING

SECTION THROUGH SPAN - MOTORISED 200MM MAXI LOUVRE INTO EXISTING OPENING



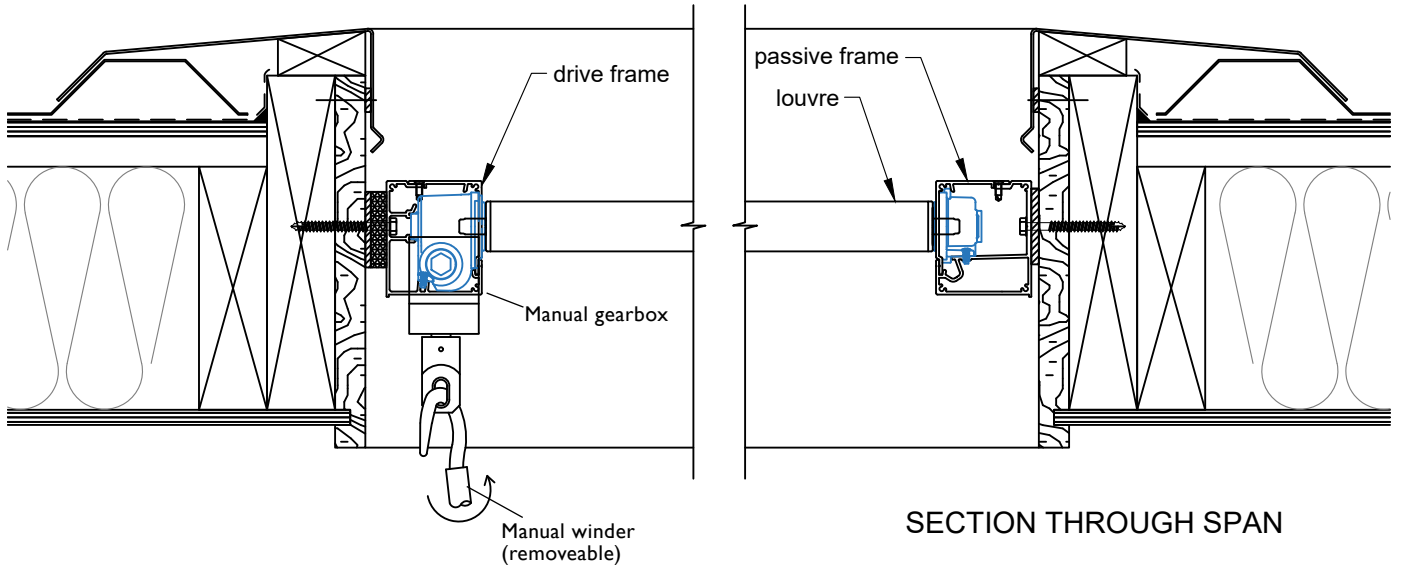
SECTION THROUGH LOUVRES - MOTORISED 200MM MAXI LOUVRE INTO EXISTING OPENING



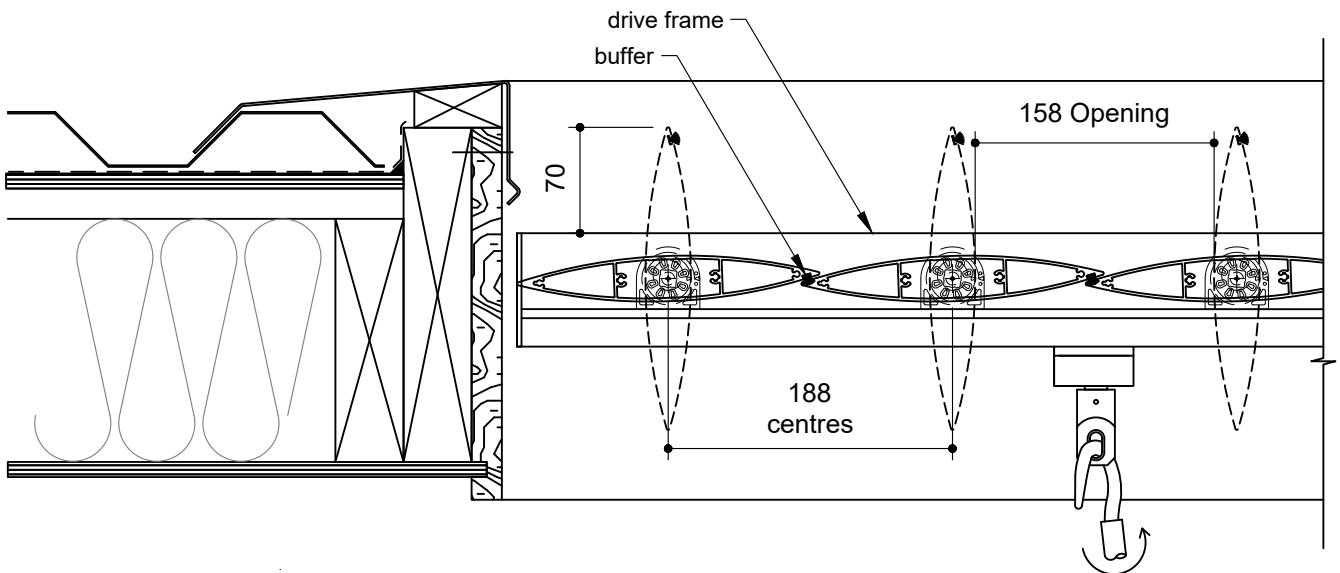
SECTION THROUGH LOUVRES

TYPICAL DETAIL: HAND OPERABLE OVERHEAD SPIRAL PIVOT SUN LOUVRES FITTING INTO EXISTING OPENING

SECTION - MANUALLY OPERABLE 200MM MAXI LOUVRE INTO EXISTING OPENING



SECTION - MANUALLY OPERABLE 200MM MAXI LOUVRE INTO EXISTING OPENING



SECTION THROUGH LOUVRES